

EN LED spotlight with motion detector

theLeda S10 WH	1020921
theLeda S10 BK	1020922
theLeda S20 WH	1020923
theLeda S20 BK	1020924
theLeda S10 W WH	1020931
theLeda S10 W BK	1020932
theLeda S20 W WH	1020933
theLeda S20 W BK	1020934



1. Basic safety information

WARNING
 Danger of death through electric shock or fire!
 ➤ Installation should only be carried out by a qualified electrician!

- ⚠ Only intended for installation out of arm's reach.
- ⚠ High temperature! Do not touch the metal parts of the device.
- ① The LED spotlight with motion detector (PIR) conforms to EN 60598-1 and EN 60669-2-1 if correctly installed
- ① IP 55 in accordance with EN 60529
- ① Optional with corner angle (9070969/9070987) and distance frame (9070971/9070988)

2. Proper use

- LED spotlight is used for lighting, depending on presence and brightness
- Device is for wall mounting inside and outside
- For entrances, garages, gardens, corridors, parks, etc.
- For use in normal ambient conditions
- ① Lamp cannot be replaced.
Replace entire spotlight if defective!

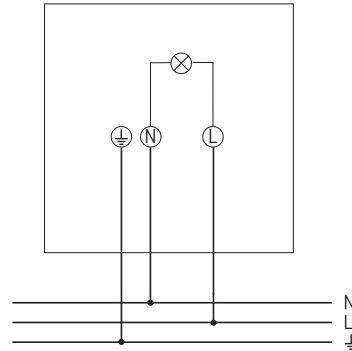
Disposal

- Dispose of device in environmentally sound manner

3. Connection

WARNING
 Danger of death through electric shock or fire!
 ➤ Installation should only be carried out by a qualified electrician!

- Disconnect power source!
- Ensure device cannot be switched on!
- Check absence of voltage!
- Earth and bypass
- Cover or shield any adjacent live components

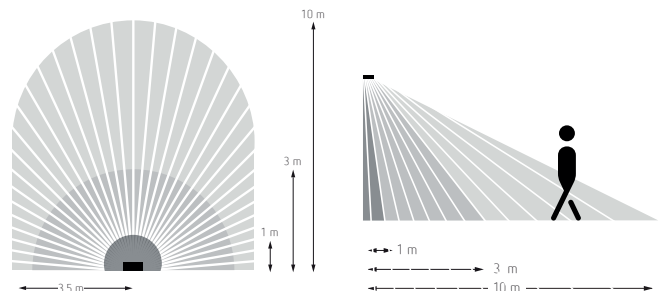


4. Installation

Installation instructions

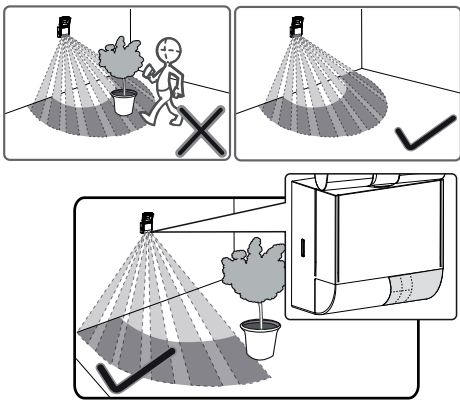
WARNING
 Danger of death through electric shock or fire!
 ➤ Installation should only be carried out by a qualified electrician!

- ① Observe the recommended installation height of 1.8 m–2.5 m!

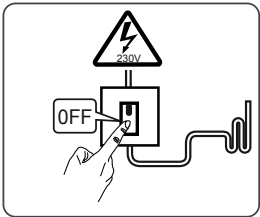


As the LED spotlight reacts to variations in temperature, avoid the following situations:

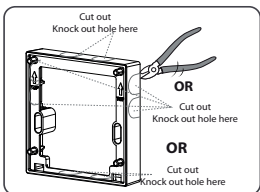
- ① Do not direct the LED spotlight at objects with highly-reflective surfaces such as mirrors etc.
- ① Do not install the LED spotlight near heat sources, such as heating outlets, air conditioning systems, lamps etc.
- ① Do not direct the LED spotlight at objects that move in the wind, such as curtains, large plants etc.
- ① Pay attention to the direction of motion during the test run



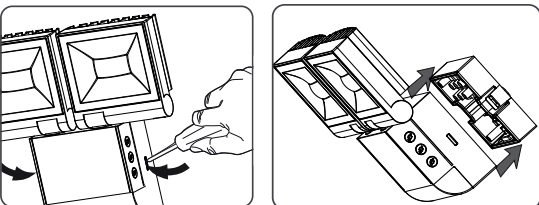
➤ Disconnect power source



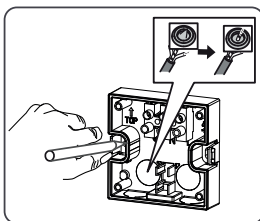
➤ Use spacer or corner bracket (optional)



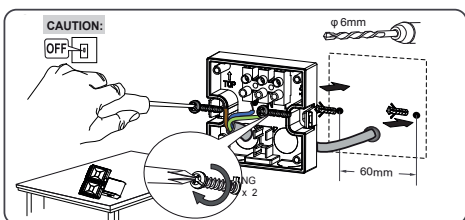
➤ Loosen catch mechanisms with a screwdriver and remove LED spotlight from base



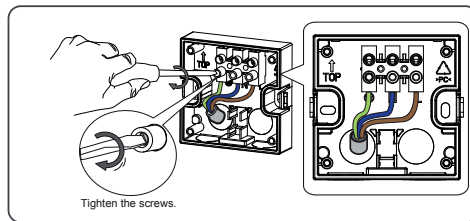
➤ Make marks for the holes and drill the holes



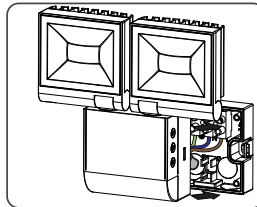
➤ Guide wire through the socket's seal; fix socket to the wall



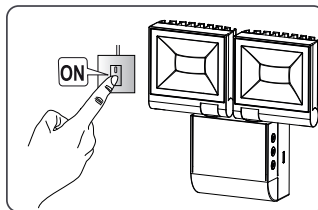
➤ Fix socket to wall, connect the individual wires to the appropriate terminal and tighten screws



➤ Place and engage the LED spotlight on the base

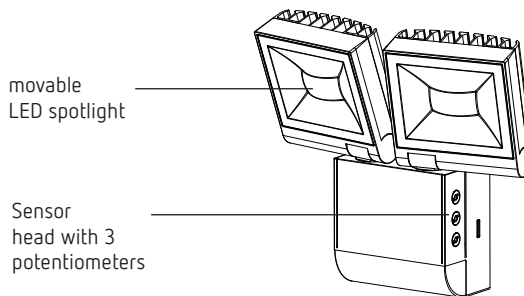


➤ Connect LED spotlight to mains



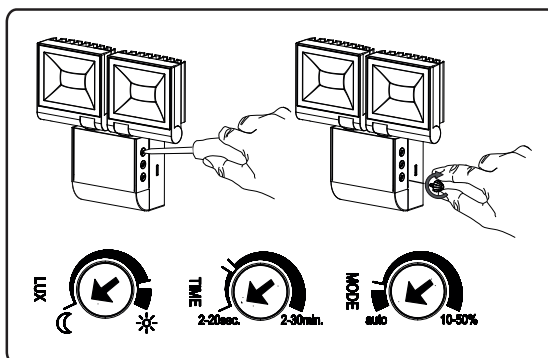
ⓘ The detector needs approx. 40 s of preheating time.

5. Description



The LED spotlight has 3 potentiometers for setting time (min), brightness (lux), and function mode.

6. Aligning the LED spotlight



ⓘ Settings via poti are taken after 15 s

Setting the brightness (LUX)



- Turn the potentiometer towards „Moon“; the LED spotlight only switches on when it is relatively dark.
- Turn the potentiometer towards „Sun“; the LED spotlight switches on when it is relatively bright
- Turn the potentiometer to „Sun“, and the device works independent of brightness

Setting the time (TIME)



- Set the potentiometer to the desired time (2 s–30 min)

Function mode (MODE)

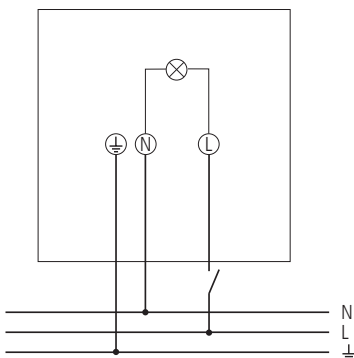


- Turn the potentiometer to „auto“; the LED spotlight switches on when there is motion in the dark
- Set Potentiometer to „10 %“ : LED spotlight switches to the set dimming value when dark
- (10 % – 50 %) for for movement to 100 %.

Manual operation

The lighting can be switched on manually via a circuit breaker button.

- ① A circuit breaker button must be connected
- ① Function only possible at night

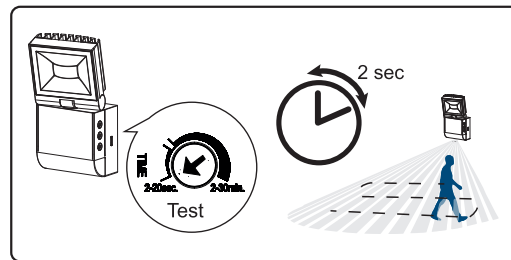


- Quickly confirm Circuit breaker 2 x (within 2 s)
→ The lighting remains switched on for 6 hours.
- To switch off the lighting and return to auto mode, press the circuit breaker briefly (within 2 s)
- If the circuit breaker is pressed x2 during this six second turn-on time, the lighting is switched on again for 6 hours.

7. Walking test

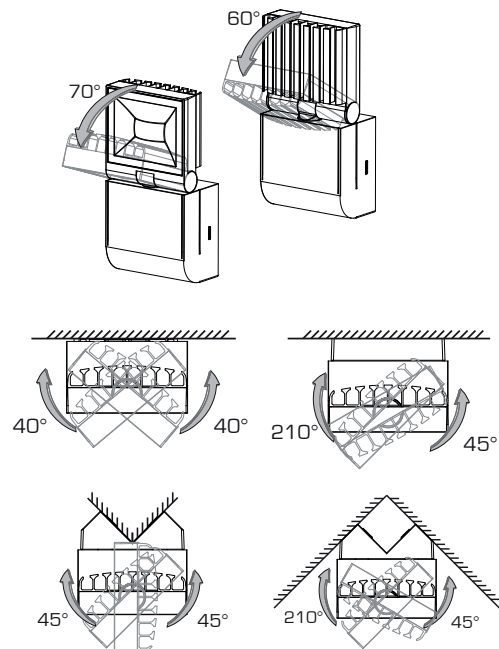
The walking test is used to test the detection area and to restrict it if necessary.

- Set potentiometer „brightness“ to „sun“.
 - Set the time potentiometer (TIME) to „test“.
→ The motion detector now always reacts to movements (independent of brightness).
 - Walk through the detection area at a right angle. After the motion detector has detected a movement, it switches on for 2 s.
- ① Pay attention to the direction of motion during the test.

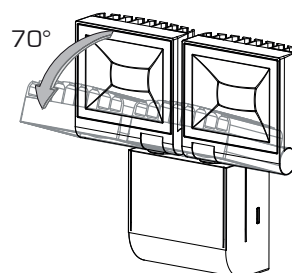


8. Aligning the LED spotlight

theLeda S10



theLeda S20



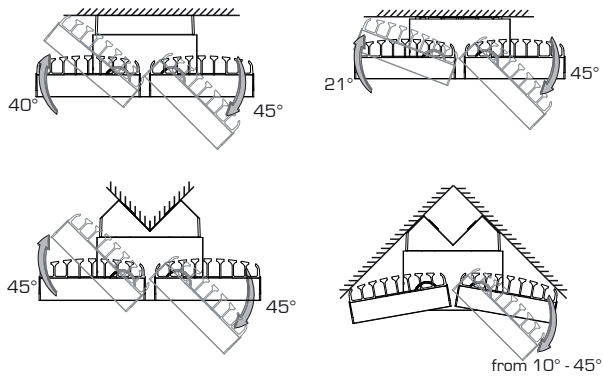
11. Contact

Theben AG
 Hohenbergstr. 32
 72401 Haigerloch
 GERMANY
 Phone +49 7474 692-0
 Fax +49 7474 692-150

Hotline

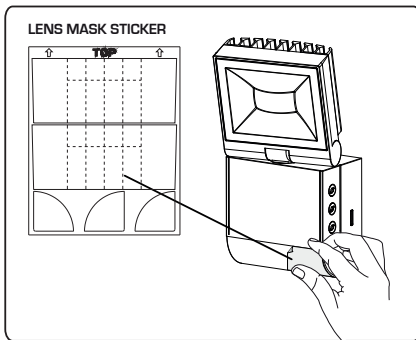
Phone +49 7474 692-369
 hotline@theben.de

Addresses, telephone numbers, etc.
www.theben.de



9. Limiting the detection area

- Use enclosed stickers to adjust the motion detector to the desired detection area.
- Remove the desired part of the cover clip with scissors.
- Then stick to the lens.



10. Technical Data

Operating voltage:	230 V ± 10 %
Frequency:	50 – 60 Hz
Consumption with light On:	10 W / 2 x 10 W
Standby output:	0.5 W
Colour rendering index:	85
Service life:	L80/B10 20.000 h
Protection rating:	IP 55 in accordance with EN 60529
Protection class:	I in accordance with EN 60598-1
Operating temperature:	–20 °C ... +45 °C
Brightness setting range:	2 – 200 lx / ∞ lx
Duty cycle range:	2 s – 30 min
Detection angle:	180°
Detection area: lateral:	max. 10 m
frontal:	max. 4 m
Colour temperature / LED output (luminous flux):	1020931 – 1020934: 3000 K / 850 lm (2 x 850 lm) 1020921 – 1020924: 4000 K / 850 lm (2 x 850 lm)
Mass/dimensions:	1020921+1020922: 313 g/ 80 x 160 x 50 mm 1020923+1020924: 463 g/ 167 x 160 x 50 mm 1020931+1020932: 313 g/ 80 x 160 x 50 mm 1020933+1020934: 463 g/ 167 x 160 x 50 mm