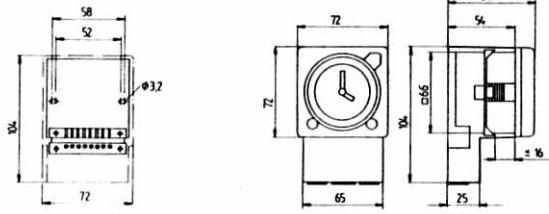
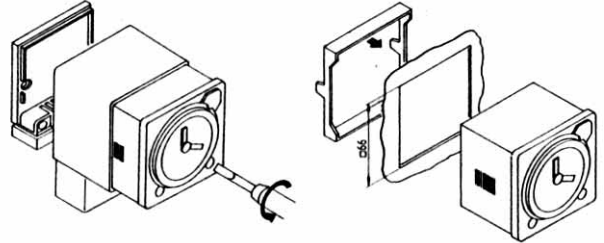
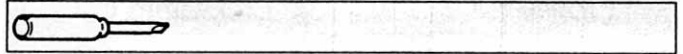


Operating instructions

SYN 269 g
SUL 289 g



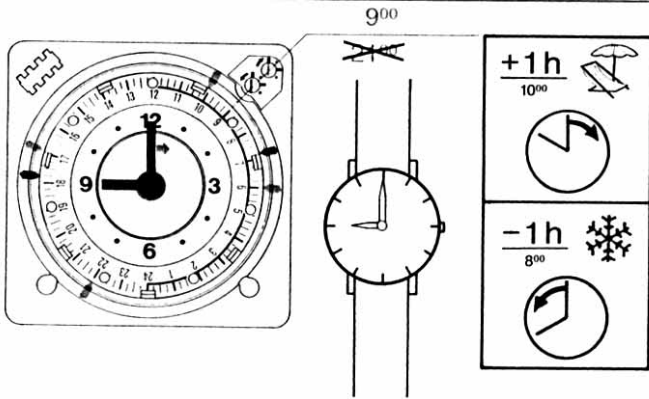
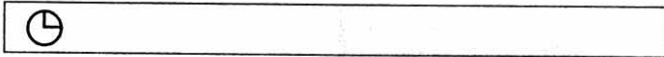
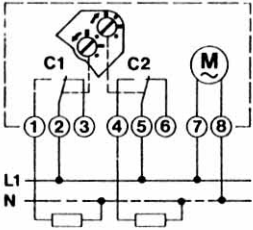
theben



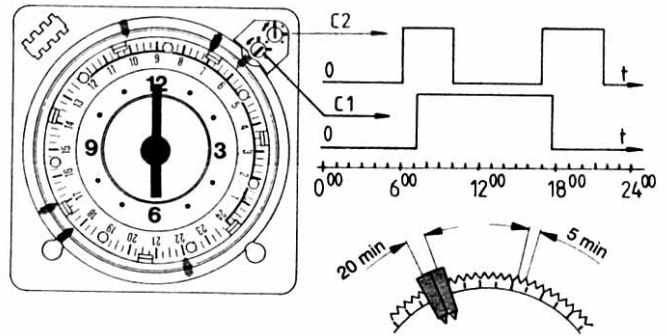
SYN 269 g
230 V / 50 Hz
SUL 289 g
Quartz * R = 3d (72 h)
230 V / 45 - 60 Hz

* The quartz movement starts automatically after a few minutes by an applied voltage. The full power reserve is built up after about 3 days.

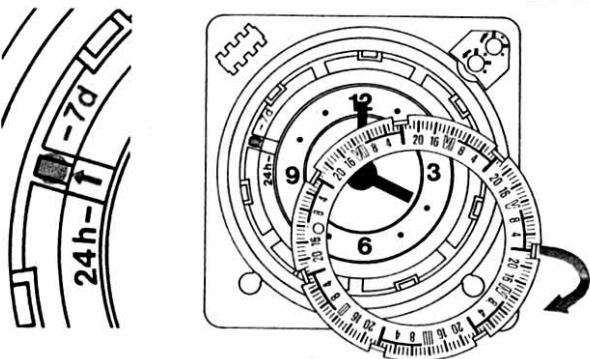
GB MOUNTING INSTRUCTIONS
Safety information: Electrical devices should only be connected and mounted by an electrical specialist. Manipulations and modifications on the switch will result in loss of warranty. The national specifications and applicable safety regulations must be observed.



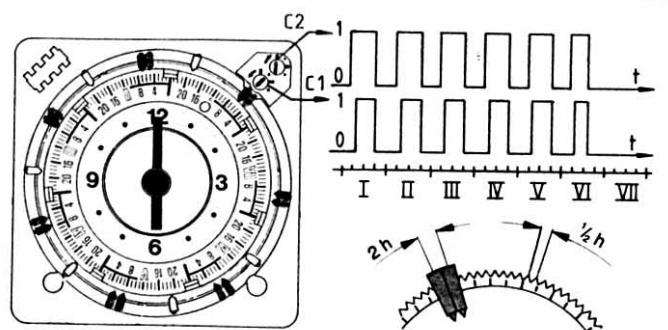
24 h Programm



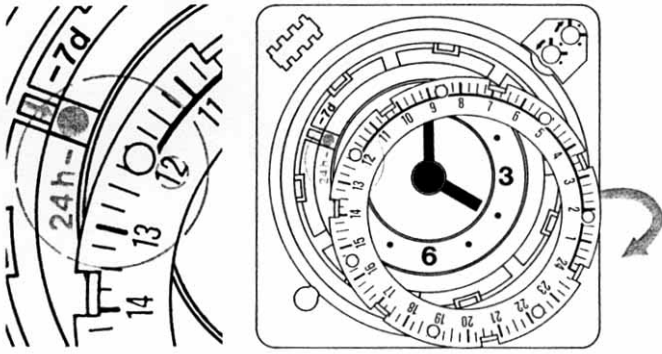
24 h → 7 d Programm



7 d Programm

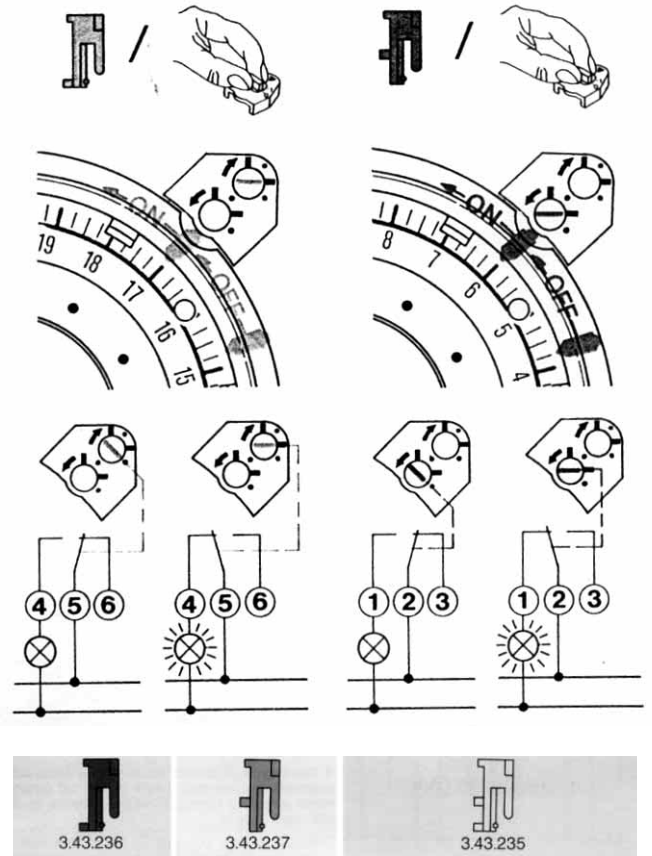


7 d → 24 h Programm



Programm C 2

Programm C 1



Dial Programming

red: ④ ⑤ and ⑤ ⑥ alternatively on — off
 blue: ① ② and ② ③ alternatively on — off
 white: ① ② — ② ③ and ④ ⑤ — ⑤ ⑥ together or alternatively on — off.
 Switching tolerances between the contacts up to 5 mins (24 hrs).

Hand switch for setting the correct programming sequence (on/off)
 The hand switch must be turned only in the direction of the arrow indicator and no tappets should be engaged.

GB The time switches are in accordance with the European directives 73/23/EEC (Low-Voltage Directive) and 89/336/EEC (EMC-Directive). If the time switches are used together with other devices in an installation, take care that the complete installation does not cause a radio interference.