

thebenHTS307188
1103088001**EN Presence detector**

thePrema P360 Slave E UP WH 2070130
 thePrema P360 Slave E UP GR 2070131
 thePrema S360 Slave E UP WH 2070630
 thePrema S360 Slave E UP GR 2070631



1. Product characteristics

- Passive infrared presence detector for ceiling mounting
- Square detection area 360° for reliable and easy planning
- Ready for immediate use due to factory preset
- Test mode for checking function and detection area
- For extending the detection area in master/slave switching, a maximum of 10 detectors can be connected in parallel
- Ceiling installation in flush-mounted socket
- Ceiling installation also possible with surface-mounted frame (option)
- Management remote control „SendoPro“ (option)
- Installation remote control „theSenda P“ (option)

2. Safety

**WARNING****Danger of death through electric shock or fire!**

- Installation should only be carried out by a professional electrician!

- Installation should only be carried out by a qualified electrician! Work on electrical systems may only be carried out by electricians or by instructed persons under the leadership and supervision of an electrician in accordance with the technical regulations applying to electricity!
- Comply with the country-specific safety regulations for work on electrical systems! De-energise cable before installation!
- The device is maintenance-free. If the device is opened or penetrated with any objects the guarantee expires.

3. Intended use


The presence detector is intended for interior installation. The presence detector is exclusively intended for the use as contractually agreed between the manufacturer and the user. Any other use is considered to be unacceptable. The manufacturer does not accept liability for any resulting damages.

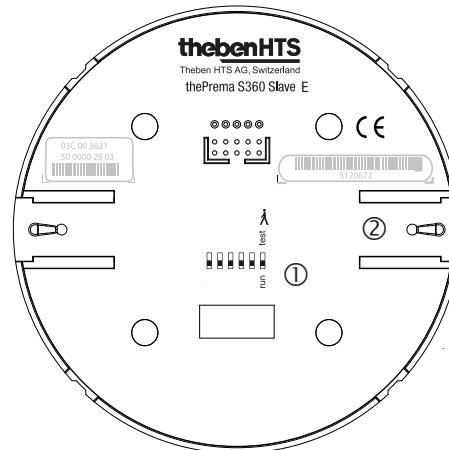
4. Function

Functional description

The slave presence detector is primarily used in offices and schools, as well as in homes, to extend the detection area. When someone is present, the presence signal is led via the P terminal to the master presence detector.


Settings on thePrema S360 E Slave

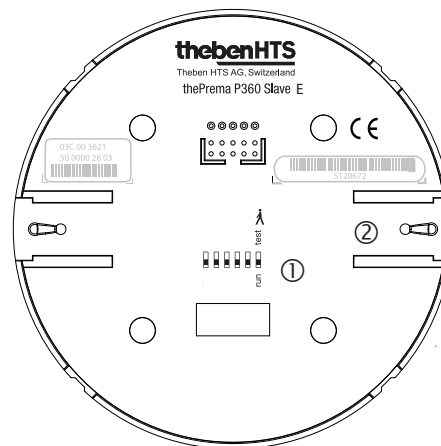
- ① DIP-Switch: „run“: normal operation/
 „test“ : presence test (walking test)



- ② Mechanical safety lock

Settings on thePrema P360 E Slave

- ① DIP-Switch: „run“: normal operation/
 „test“ : presence test (walking test)



- ② Mechanical safety lock

5. Detection area

The square detection area of the presence detector guarantees accurate and simple planning. Square detection areas make it possible to cover a whole room with parallel switching. Note that seated and moving persons can be detected in differently-sized areas. The recommended installation height is at 2.0 m – 3.0 m for „thePrema S360 Slave E“ and 2.0 m – 3.5 m for „thePrema P360 Slave E“. The sensitivity of the detector decreases with increasing installation height. At

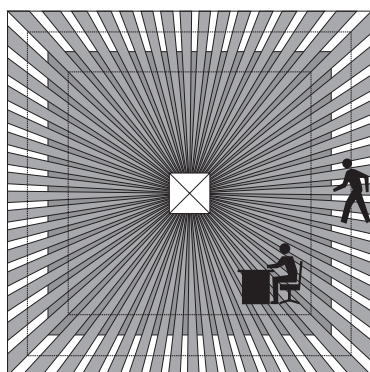
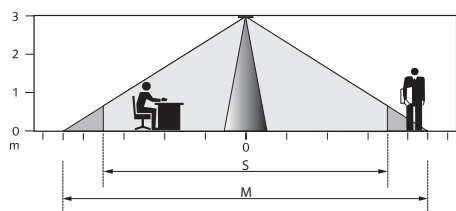
an installation height of 3 m or 3.5 m, walking motions are necessary, and the detection areas of several detectors should overlap in the marginal zones. The detection range is reduced as the temperature increases.

Seated persons:

The presence detector reacts very sensitively to the slightest movements. The details refer to smallest movements at table height (approx. 0.80 m). The detection sensitivity is reduced from an installation height of > 3 m for „thePrema S360 Slave E“ and > 3.5 m for „thePrema P360 Slave E“. More pronounced movements are required for clear detection.

Moving persons:

Use of the whole detection area. At an installation height of between 5 and 10 m, the extent and distance between the active and passive zones increase.



thePrema P360 Slave E

Installation height	stationary persons S		moving persons M	
2,0 m	20 m ²	4,5 m x 4,5 m	36 m ²	6,0 m x 6,0 m ± 0,5 m
2,5 m	36 m ²	6,0 m x 6,0 m	64 m ²	8,0 m x 8,0 m ± 0,5 m
3,0 m	49 m ²	7,0 m x 7,0 m	81 m ²	9,0 m x 9,0 m ± 1,0 m
3,5 m	64 m ²	8,0 m x 8,0 m	100 m ²	10,0 m x 10,0 m ± 1,0 m
5,0 m	---	---	144 m ²	12,0 m x 12,0 m ± 1,5 m
10 m	---	---	400 m ²	20,0 m x 20,0 m ± 2,0 m

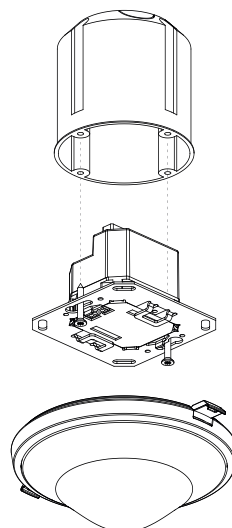
thePrema S360 Slave E

Installation height	stationary persons S		moving persons M	
2,0 m	9 m ²	3,0 m x 3,0 m	20 m ²	4,5 m x 4,5 m ± 0,5 m
2,5 m	16 m ²	4,0 m x 4,0 m	36 m ²	6,0 m x 6,0 m ± 0,5 m
3,0 m	25 m ²	5,0 m x 5,0 m	49 m ²	7,0 m x 7,0 m ± 1,0 m
3,5 m	---	---	64 m ²	8,0 m x 8,0 m ± 1,0 m

6. Installation

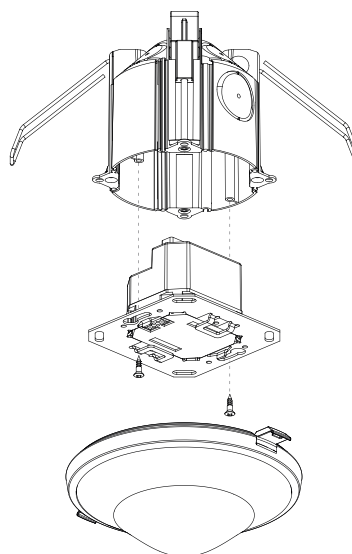
Flush-mounted installation

The flush-mount installation of the presence detector is done using a standard UP (flush-mount) installation socket Size 1.



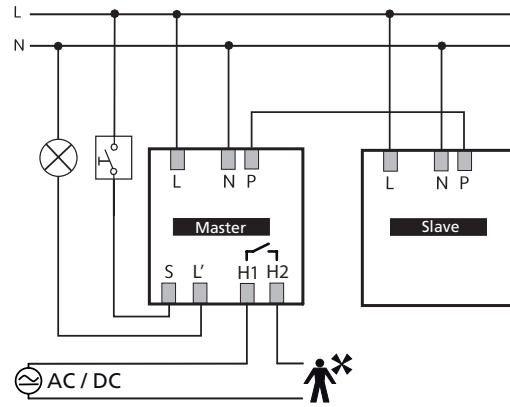
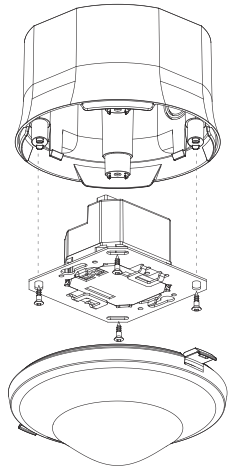
Ceiling installation

A ceiling installation unit 73A is available for a simplified ceiling installation of the presence detector (see accessories). This ensures strain relief and contact protection at the same time. The installation diameter is 72 mm (drill diameter 73 mm).



Surface-mount installation

A suitable surface-mount frame is available for surface installation, Protection rating IP 40 (see accessories).



Master: thePrema S360 -101 E, thePrema P360 -101 E
 Slave: thePrema P360 Slave E, thePrema S360 Slave E

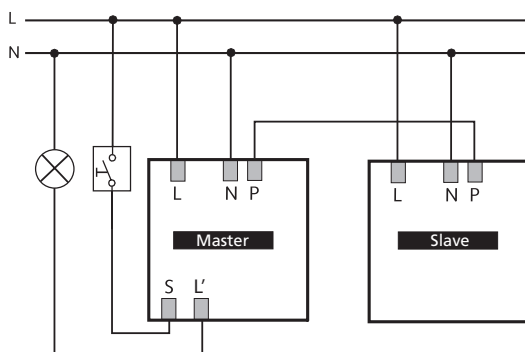
7. Connection

Switching

The slave presence detectors are used together with a master device in a master/slave combination.

Master/slave parallel connection

If the detection area covered by one presence detector is insufficient (larger rooms), then up to 10 detectors can be operated in parallel by connecting P terminals. In the process presence detection is performed by all detectors together. The master measures the brightness, operates the push buttons and controls the lighting. All other detectors are used as slaves. They only provide presence information.



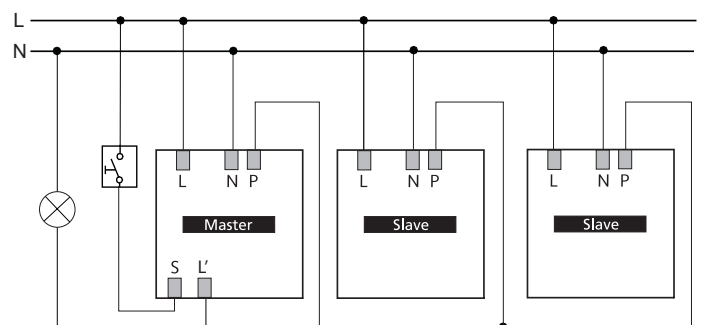
Master: thePrema S360 -100 E
 Slave: thePrema P360 Slave E, thePrema S360 Slave E

- Light measurement only with the master.
- Parameters are only set on the master.
- Switch up to 10 detectors in parallel.
- Use the same phase for all detectors.
- The detection sensitivity can be set individually on the master and on the slave.

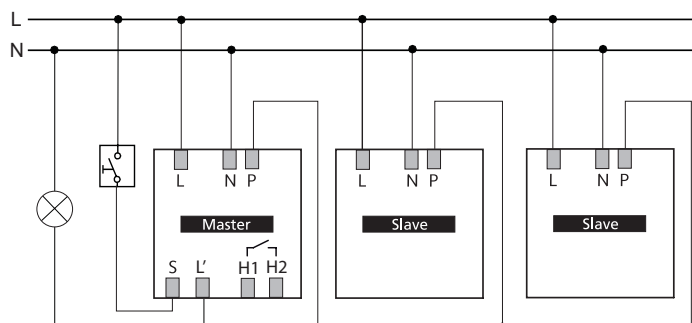
Presence detectors functioning as staircase light time switches

As master a presence detector assumes the function of the staircase light time switch. With the master the DIP switch is set to «corridor». With every detected movement or push button activation the time delay is restarted. However the lights cannot be switched off with the push button. If the detection area covered by one presence detector is insufficient (larger rooms), then up to 10 presence detectors can be operated in parallel as slaves by connecting P terminals.

- Master switches lighting directly.
- Push button starts the time delay of the master.
- DIP switch to «corridor» prevents switching off with the push button.
- If needed switch additional slaves in parallel via P terminals.
- Use the same phase for all detectors.
- Potentiometers and DIP switches are only set on the master.



Master: thePrema S360 -100 E
 Slave: thePrema P360 Slave E, thePrema S360 Slave E



Master: thePrema S360 -101 E, thePrema P360 -101 E
 Slave: thePrema P360 Slave E, thePrema S360 Slave E

8. Settings

The presence detectors were supplied with basic settings ready for operation. The specifications are guidance values. For start-up, the SendoPro 868-A and theSenda P remote controls are available as an option. They can be used for setting the parameters and DIP switch settings from a distance.

Parameters	Description	Can be changed SendoPro 868-A	Can be changed theSenda P
Detection sensitivity	Detection Sensitivity (PIR): value range in Increments	x	x
Monitoring sensitivity reduction	Room monitoring sensitivity: value range in Increments	x	
LED display motion	Off / On	x	

Control command	Description	Can be triggered SendoPro 868-A	Can be triggered theSenda P
Presence test	Off / On	x	x
Restart	Restart detector	x	x
Factory settings	Set all parameters and settings to factory setting.	x	

Detection sensitivity

The detector has 5 sensitivity increments. The basic setting is the middle increment (3).

By selecting the test presence operating mode, the set sensitivity increment is not changed.

Increments 1 to 5 can be selected and sent to the detector with the «SendoPro 868-A» management remote control.

On the «theSenda P» installation remote control, the sensitivity can be increased or decreased by one increment each time the button is pushed.

Increment	Sensitivity
1	very insensitive
2	insensitive
3	Standard
4	sensitive
5	very sensitive

Room monitoring sensitivity

The detector has 3 sensitivity levels. The basic setting is the middle increment 2.

Sensitivity increments 1 to 3 can be selected and sent to the detector with the «SendoPro 868-A» management remote control.

Increment	Sensitivity
1	insensitive
2	Standard
3	sensitive

LED display motion

The motion detection can be displayed via the LED.

Value range

No display of motion detection.	off
The LED is switched on when motion is detected, otherwise switched off.	On

Adjustment possible only with „SendoPro 868-A“.

Factory settings

The presence detector is supplied with the following parameter values:

Parameters	Value
Detection sensitivity	Increment 3
Monitoring sensitivity reduction	Increment 2
LED display motion	off

9. Start-up

Switching behaviour

Every time the sensor unit is inserted into the power unit or every time the power supply is switched on the presence detector runs through two phases that are shown on an LED:

1. Start-up phase (30 seconds)

- The red LED flashes every second.
- The detector does not react to remote control commands.


2. Operation



- The detector is ready for operation (LED off).

Test presence

The presence test mode is used to test presence detection and the wiring. The presence test mode can be activated directly on the presence detector via DIP switch, or with management remote control „Sendo Pro 868 A“, or installation remote control „theSenda P“.

Setting the presence test mode via DIP switch

- Set DIP switch to "Test  " (in parallel switching with all detectors).

run  test 

1. Start-up phase (30 seconds)

- Every movement is indicated by the LED.


2. Operation

- Every movement is indicated by the LED.
- Detector stays permanently in the test phase.

Setting the presence test mode via remote control

- The detector goes directly into test mode when setting the test mode with the remote control.
- Test mode ends automatically after 10 mins. The detector performs a new start (see switch-on behaviour).

10. Technical data

Operating voltage	110 – 230 V AC, + 10 % / – 15 %
Frequency	50 – 60 Hz
Upstream protection device	16 A
Power consumption	approx. 0.1 W
Installation type	Ceiling installation; Flush/surface mounted or ceiling installation.
Minimum height	> 1,7 m
Recommended installation height	2,0 – 3,0 m for thePrema S360 Slave E / max. 3,5 m 2,0 – 3,5 m for thePrema P360 Slave E / max. 10 m
Detection area horizontal Vertical	360° 120°
Maximum range S360 Slave	5 x 5 m (Mh. 3 m) / 25 m ² seated 8 x 8 m (Mh. 3,5 m) / 64 m ² moving
Maximum range P360 Slave	8 x 8 m (Mh. 3,5 m) / 64 m ² seated 10 x 10 m (Mh. 3,5 m) / 100 m ² moving
Connection type	Terminals screws
Max. cable cross-section	max. 2 x 2.5 mm ²
Flush-mounted socket size	Siz. 1, Ø 55 mm (NIS, PMI)
Protection rating	IP 20 (installed IP 40)
Ambient temperature	0 °C – 50 °C
CE Declaration of Conformity	This device conforms to the safety regulations of the EMC directive 2014/30/EU and of NSR 2014/35/EU. 

Product overview

Installation type	Channel	Operating voltage	Colour	Type	Item No.
Ceiling installation	---	230 V AC	White	thePrema S360 Slave E	2070630
Ceiling installation	---	230 V AC	Grey	thePrema S360 Slave E	2070631
Ceiling installation	---	230 V AC	Special colour in accordance with customer information	thePrema S360 Slave E	2070633
Ceiling installation	---	230 V AC	White	thePrema P360 Slave E	2070130
Ceiling installation	---	230 V AC	Grey	thePrema P360 Slave E	2070131
Ceiling installation	---	230 V AC	Special colour in accordance with customer information	thePrema P360 Slave E	2070133

Troubleshooting

Fault	Cause
Device does not respond	Short circuit or several phases in parallel switching! Disconnect detector from the power supply for 5 mins. (thermal fuse)
Error flashing (4 x per second)	Error in self-test; Device not properly functional!

Guarantee

Theben HTS presence detectors are manufactured with the utmost care and using state-of-the-art technology and are quality-certified. Theben HTS AG therefore guarantees perfect operation when used correctly. Should a fault occur, however, Theben HTS AG will fulfil the guarantee within the scope of the general terms and conditions.

Please note in particular:

- that the guarantee period lasts 24 months from the date of manufacture.
- that the guarantee is invalidated if you, or a third party, make changes or undertake repairs to the devices.
- that, insofar as the presence detectors are connected to a software-controlled system, the guarantee for this connection is only valid when the indicated interface specification is complied with.

We undertake to repair or place as quickly as possible all components of the delivered device that have become defective or unusable through demonstrably poor material, faulty construction or incomplete delivery up to the end of the guarantee period.

Returns

In the event of a guarantee claim, please return the device to the relevant dealer together with the delivery note and a brief description of the fault.

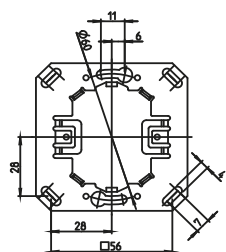
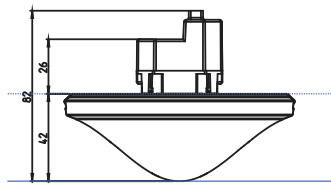
Industrial property rights

The design as well as hardware and software of these devices are protected by copyright.

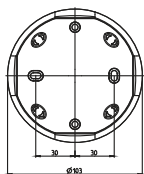
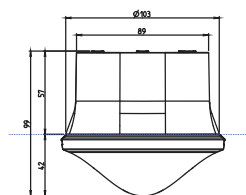
Dimensional drawings

P360-101 Slave E

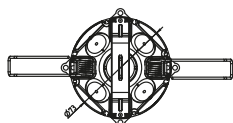
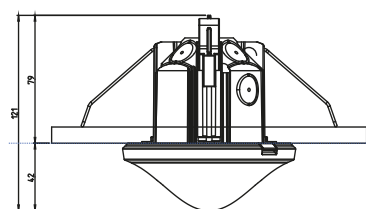
Flush mounting



Surface mounting

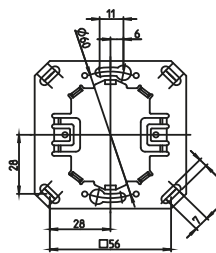
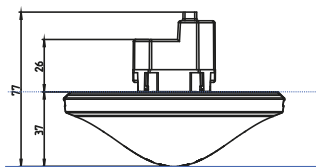


Ceiling installation

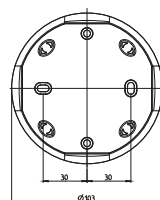
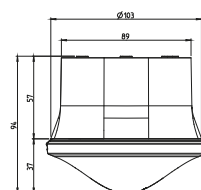


S360-101 Slave E

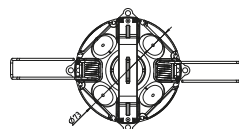
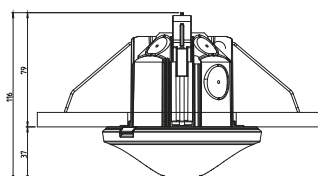
Flush mounting



Surface mounting



Ceiling installation



Accessories

Surface-mounted frames 110A

Item no.: 9070912

[Details > www.theben.de](http://www.theben.de)



SendoPro 868-A

Item no.: 9070675

[Details > www.theben.de](http://www.theben.de)



Ceiling installation box 73A

Item No.: 9070917

[Details > www.theben.de](http://www.theben.de)



theSenda S

Item no.: 9070911

[Details > www.theben.de](http://www.theben.de)



theSenda P

Item No.: 9070910

[Details > www.theben.de](http://www.theben.de)



ThebenHTS AG
Im Langhag 7b
8307 Effretikon
SCHWEIZ
Tel. +41 52 355 17 00
Fax +41 52 355 17 01

Hotline

Tel. +41 52 355 17 27

hotline@theben-hts.ch

Addresses, telephone numbers etc.

www.theben-hts.ch