



## 1. Product characteristics

- Passive infrared presence detector for ceiling installation
- Circular detection area 360°, up to Ø 24 m (452 m<sup>2</sup>)
- Restriction of detection area with cover clips
- Automatic presence- and brightness-dependent control for lighting
- Mixed light measurement suitable for fluorescent (FL/PL/ESL), halogen/incandescent lamps and LEDs
- Channel A light: relay, 230 V
- Choice of fully or semi-automatic operation
- Brightness switching value configurable, teach-in function
- Reduction of time delay when present briefly (short-term presence)
- Connection option for push buttons or switches for manual switching with automatic detection of push button/switch
- Pulse function for staircase light time switch
- Time delay configurable
- Detection sensitivity configurable
- Ready for immediate use due to factory presetting
- Test mode for checking function and detection area
- Ceiling installation with springs
- User remote control „theSenda S“ (option)
- Management remote control „SendoPro“ (option)
- Installation remote control „theSenda P“ (option)

## 2. Safety



Make yourself familiar with the presence detector, prior to installation and start-up.  
Read these operating instructions.

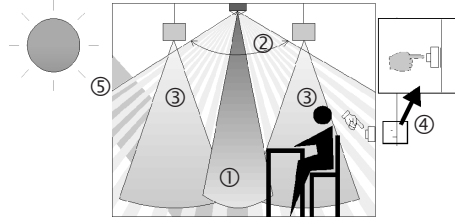
- The device is maintenance-free. If the device is opened or penetrated with any objects the guarantee lapses.

## 3. Proper use

The presence detector is intended for interior installation. The presence detector is exclusively intended for the use as contractually agreed between the manufacturer and the user. Any other use is considered to be unacceptable. The manufacturer does not accept liability for any resulting damages.

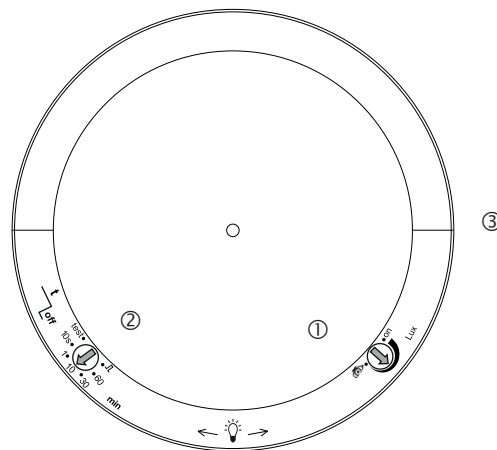
## 4. Function

The presence detector is primarily used in entrance halls, garages, warehouses, offices and schools for easy and energy-efficient control of lighting. The switch contact „light“ switches lighting on with presence and insufficient brightness, and off with absence or sufficient brightness. The light can also be switched on/off manually using push buttons or switches.



### Function description

- ① Mixed light measurement
- ② Presence detection
- ③ Artificial light
- ④ Push button for manual lighting control
- ⑤ Incident daylight



### Settings on theRonda P360-100

- ① Brightness switching value (lux)
- ② Lighting time delay
- ③ Mechanical safety lock

### Channel A light

Switching response is controlled by presence and brightness. The switch contact of Channel A light closes during darkness and when someone is present. It opens with a delay when there is brightness or when no one is present.

### Time delay

The time delay enables delayed switching off of lighting after the room is vacated. The time delay is adjustable in a range of 10 s to 60 min. If someone goes into an unoccupied room only briefly and leaves it within 30 seconds, then the light shuts off prematurely after 2 minutes (short-term presence).

### Push button control

The lighting can be manually switched at any time via a push button or switch. If the light is switched on manually, it

will remain on for at least 30 minutes providing people are present. It then switches off when the brightness is adequate. The light is forced off after a preset time delay if the room was (previously) vacated. If artificial lighting is switched off manually, the lighting remains switched off as long as the room is occupied. The lighting switches again automatically after the time delay has expired.

### Fully or semi-automatic

Lighting control via the presence detector operates fully automatically for increased comfort or semi-automatically for greater energy savings. In „fully automatic“ the lights switch on and off automatically. Light switching has to be completed manually in „semi-automatic mode“. The lighting is always switched off automatically.

### Pulse function

Time delay can be set to pulse for controlling existing staircase light timer switch. To do so, the light output produces every 10 seconds a pulse of 0.5 seconds duration if people are present or it is dark.

## 5. Detection area

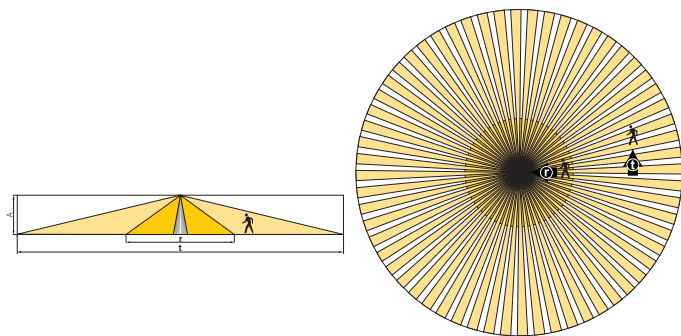
The circular detection area of the Ronda presence detector covers a large detection area, and permits a good room coverage with many applications. Note that seated and moving persons can be detected in differently-sized areas. The recommended installation height is 2.0 m – 6.0 m. As installation height increases, the sensitivity of the presence detector decreases. Walking motions are necessary from installation heights of 3.5 m and the detection areas of several detectors should overlap in the marginal zones. The detection range is reduced as the temperature increases.

### Seated persons:

The details relate to smallest movements at table height (approx. 0.80 m).

### Moving persons:

At installation heights of between 5 and 10 m, the extent and distance between the active and passive zones increase.



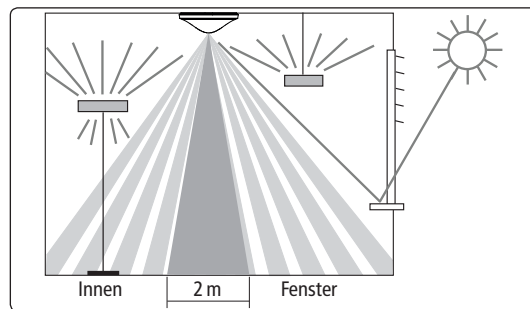
Installation height (A)	Moving persons Frontal (r)		Moving persons Across (t)		Seated persons: (s)	
	Area (m²)	Ø (m)	Area (m²)	Ø (m)	Area (m²)	Ø (m)
2,0 m	28 m²	Ø 6 m	380 m²	Ø 22 m	16 m²	Ø 4,5 m
2,5 m	38 m²	Ø 7 m	415 m²	Ø 23 m	24 m²	Ø 5,5 m
3,0 m	50 m²	Ø 8 m	452 m²	Ø 24 m	28 m²	Ø 6 m
3,5 m	50 m²	Ø 8 m	452 m²	Ø 24 m	38 m²	Ø 7 m
4,0 m	50 m²	Ø 8 m	452 m²	Ø 24 m	–	–
5,0 m	50 m²	Ø 8 m	452 m²	Ø 24 m	–	–

6,0 m	50 m²	Ø 8 m	452 m²	Ø 24 m	–	–
10,0 m	50 m²	Ø 8 m	491 m²	Ø 25 m	–	–

All figures are guidance values.

## Brightness measurement

The presence detector measures artificial light and day-light that is reflected directly below the detector. The light measurement area maps a rectangle of about 2 x 3.5 m at table height. The installation site is a reference point for the lighting level. Direct light influences the light measurement. Avoid placing floor lamps or suspended lighting directly below the detector. If the brightness measurement is deactivated, the Channel A light only switches depending on the presence (brightness switching value set to „measurement off“ or potentiometer brightness switching value set to „on“ via the remote control).



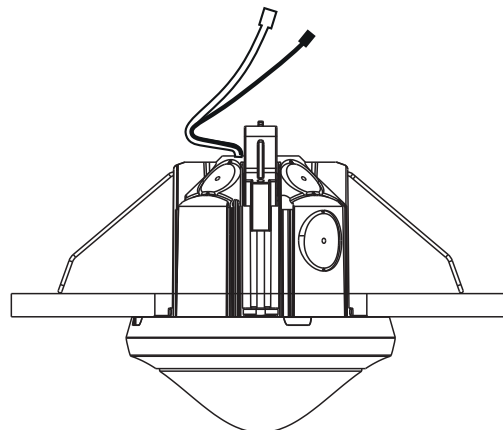
### Suitable lamps

The presence detector is designed for the operation of fluorescent, compact fluorescent, halogen and incandescent lamps as well as LEDs. The maximum number of switchable lights is restricted due to the high inrush current levels of the EBs and LED drivers. The use of an external contactor helps with large loads. All switched loads must be properly suppressed.

## 6. Installation

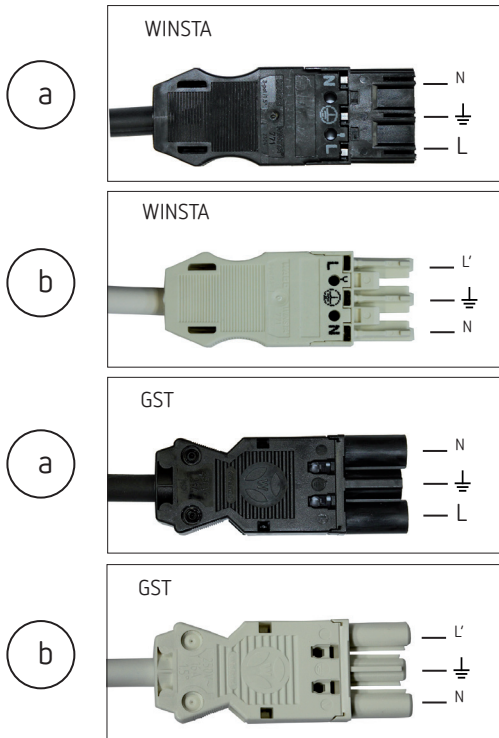
### Ceiling installation

The installation diameter is 72 mm (drill diameter 73 mm).



## Connection

- Power supply plug (a)
- Plug for lamp (b)

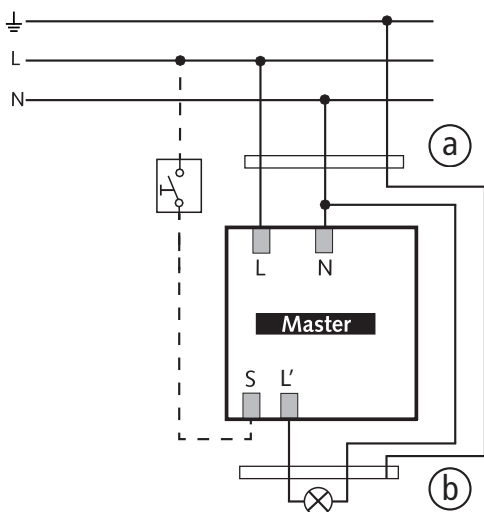


## 7. Switching

The presence detectors can be operated as a master in individual switching. Several push buttons can be connected to one control input. Illuminated push buttons can only be used with neutral conductor connection.

### Individual switching

In individual switching, the presence detector as master detects presence and brightness and controls lighting.



### ⚠ CAUTION

Push button input S is not led to the plugs. If a push button is required, please wire separately.

## 8. Settings

The presence detectors were supplied with basic settings ready for operation. The reference values for the basic settings are optimised for typical applications. The „SendoPro 868-A“ and „theSenda P“ remote controls are optionally available for start-up. They enable remote adjustment of all required settings.

### Settings Channel A light

#### Potentiometer brightness switching value „Lux“

The required brightness switching value can be set via the lux potentiometer. The setting range is around 30 to 1000 lux. The factory presetting is ca. 300 lux.

Brightness switching values from 30 to 3000 lux can be set via the management remote control „SendoPro 868-A“.



Teach-in: When the LUX potentiometer is moved to the teach-in position, the LED starts flashing for 20 seconds. As soon as the LED stops flashing, the measured brightness value is accepted as the new brightness switching value. When the teach-in position is exited, the set value on the LUX potentiometer is accepted as the new brightness switching value.

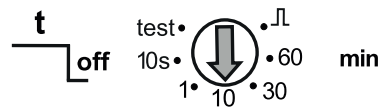
Teach-in can also be carried out using the „SendoPro 868-A“ and „theSenda P“ remote controls. In this case, the currently measured brightness value is immediately accepted as the brightness switching value.

The brightness measurement is deactivated at potentiometer setting „on“. The channel light then switches only depending on presence.

#### Potentiometer lighting time delay

The following guidance values have proved themselves in practice and are recommended as settings:

- Transit zones (no work area) approx. 5 min
- Classroom approx. 10 min
- Work areas (office, meeting room) approx. 10 min
- „Pulse“: Control staircase light time switch (0.5 s „on“ / 10 s „off“)
- „test“: Test presence



### Parameters via remote control

The following parameters can be queried or changed via the remote control for support during installation as well as servicing:

Parameter	Description	Can be queried SendoPro 868-A	Can be changed SendoPro 868-A	Can be changed theSenda P
Brightness switching value Channel A light	Value range in lux	x	x	x
	Measurement off	x	x	

Parameter	Description	Can be queried SendoPro 868-A	Can be changed SendoPro 868-A	Can be changed theSenda P
Time delay Channel A light	Value ranges in seconds / minutes		x	x
	Pulse		x	x
Short presence Channel A light	On / Off		x	
Configuration type	auto / man	x	x	x
Control input S	Auto / switch / push button S / push button O		x	
Detection sensitivity (PIR)	Value range in increments		x	x
Group address	All / I / II / III		x	
LED display motion	Off / On		x	

The parameters are sent to the presence detector with the „SendoPro 868-A“ management remote control or with „theSenda P“ installation remote control via infra-red. Changed parameters are immediately applied and used by the detector.

With the „SendoPro 868-A“ management remote control, parameters can be queried by sending values level-by-level to the detector. If the sent values are below the set parameter, the LED illuminates briefly. If the sent values are equal or above the set parameter, the LED flickers for 2 seconds.


### Control commands via remote control

Control command	Description	Can be triggered SendoPro 868-A	Can be triggered theSenda P
Teach-in Channel A light	The currently measured brightness value is accepted as the brightness switching value. Values outside the permitted range will automatically be set to the appropriate limit value.	x	x
Switch light on/off	Lighting group can be switched on and off.	x	x
Presence test	On / Off	x	x
Restart	Restart detector	x	x
Factory settings	Set all parameters and settings to factory setting.	x	

### Brightness switching value Channel A light


The brightness switching value defines the minimum desired brightness. The current prevailing brightness is measured below the presence detector. If the prevailing brightness is below the switching value, the light switches on when a presence is detected (in configuration type fully automatic device).

### Value range

Lux values with "SendoPro 868-A" management remote control The "theSenda P" installation remote control offers the following values  (The currently measured brightness value (lux) can be adopted with the "SendoPro 868-A" management remote control, with the teach-in control command or with the "theSenda P" installation remote control via the teach-in button.) Values outside the permitted range will automatically be set to the appropriate limit value.	30 - 3000 lux 300, 500, 800 lux
- Deactivating the brightness measurement (the brightness has no influence) - The light channels only switch after presence/absence. Possible with "SendoPro 868-A" management remote control or "theSenda P" installation remote control.	Measurement off Button 

### Time delay Channel A light

#### Value range

Adjustable values with "SendoPro 868-A" management remote control In the "theSenda P" installation remote control, the following values are available	10 s - 60 min 10 s, 30 s, 60 s, 2 min, 10 min, 20 min, 60 min
Control for staircase light timer switch (0.5 s "on" / 10 s "off") "SendoPro 868-A" "theSenda P"	Pulse Button 

#### Short-term presence

The time delay of Channel A light can be switched off sooner if a room is occupied only for a short time. (In fully automatic and semi-automatic function modes)

The time delay is used according to set parameter.	Off
If someone enters an unoccupied room and it is only occupied for up to 30 seconds, the light goes off 2 minutes early.	On

### Configuration type

Fully automatic device: The lighting switches on and off automatically. (due to presence/no presence and brightness)	auto
Semi-automatic: Switch on must always occur manually. Switch off occurs automatically by the presence detector. (due to presence or brightness)	man

### Control input S

Control input S for manual switch on/off of Channel A light automatically detects push buttons or switches. Several push buttons can be connected to control input S. Use light push button only with neutral conductor connector

## Value range

Automatic detection of push button or switch. A signal that is present for less than 0.7 s is detected as a push button. Longer signals are evaluated as a switch.		auto
To adapt to user behaviour, the type of signal transmitter used can be set to fixed. Automatic detection is deactivated. When selecting the push button, opening contact or NO contact can also be specified.	Switch	Switch
	Push button (NO contact)	Push button S
	Push button (opening contact)	Push button O

Adjustment possible only with „SendoPro 868-A“.

## Detection sensitivity

The detector has 5 sensitivity increments. The basic setting is the middle increment (3).

By selecting the test presence operation mode, the set sensitivity increment is not changed.

With the „SendoPro 868-A“ management remote control, levels 1 to 5 can be selected and sent to the detector.

With the „theSenda P“ installation remote control, the sensitivity can be reduced or increased by one level with every button press.

Increment	Sensitivity
1	very insensitive
2	insensitive
3	standard
4	sensitive
5	very sensitive

## Group address Channel A light

This parameter is applied when using the „theSenda P“ user remote control.

A group address can be assigned to the Channel A light.

The „SendoPro 868-A“ or „theSenda S“ can be used to program the group addresses in the detector.

### Group address value range

Adjustable values "SendoPro 868-A"	I, II , III , All
Adjustable values "theSenda S"	I, II

## LED display motion

The motion detection can be displayed via the LED.

### Value range

No display of motion detection.	Off
The LED is switched on when motion is detected, otherwise switched off.	On

Adjustment possible only with „SendoPro 868-A“.

## Factory settings

The theRonda P360-100 presence detector is supplied with the following parameter values:

Parameter	Value
Brightness switching value Channel A light	ca. 300 lux
Time delay Channel A light	10 min
Short presence Channel A light	On
Configuration type	auto
Control input S	auto
Detection sensitivity (PIR)	Increment 3
Group address	T
LED display motion	Off

## 9. Start-up

### Switching behaviour

Every time the power supply is switched on, the motion detector first runs through a start-up phase of 30 s, and then switches to normal operation. An LED displays the current status:

#### 1. Start-up phase (30 s)

- The red LED flashes at one second intervals, the switch contact is closed (light on). The wiring is therefore also checked automatically.
- The detector does not react to some remote control commands.
- When no one is present, the switch contact opens after 30 seconds.

#### 2. Operation

The detector is ready for operation (LED off).





### Test presence

The test presence operation is used for checking the detection area and the wiring. The test presence operation can be activated with the „SendoPro 868-A“ management remote control and with the „theSenda P“ installation remote control or via the lighting time delay potentiometer.

#### Setting test presence operation with the remote control

- The detector goes directly into test operation when the test operation is set via the remote control:
  - Every movement is indicated by the LED.
  - The light switch contact closes upon motion.
  - When no one is present the light switch contact opens after 10 seconds.
  - Brightness measurement deactivates, detector does not react to brightness.
  - The detector reacts as in fully automatic configuration type even if semi-automatic is set.
  - Teach-in cannot be activated in test operation.
- Test operation ends automatically after 10 min. The detector performs a new start (see switch-on behaviour).

## 10. Technical data

Operating voltage	110-230 V AC + 10 % / - 15%
Frequency	50-60 Hz
Upstream protection device:	13 A
Power consumption	approx. 0.1 W
Type of installation	Ceiling installation
Installation height	2,0 – 6,0 m / max. 10 m
Minimum height	> 1.7 m
Detection area horizontal vertical	360° 150°
Maximum range	Ø 8 m (Mh. 3 m) / 50 m <sup>2</sup> radially moving Ø 24 m (Mh. 3 m) / 452 m <sup>2</sup> tangentially moving
Light measurement	approx. 10 – 3000 Lux
Setting range brightness switching value	30 – 3000 lux
Lighting time delay	10 s – 60 min / Pulse
Channel A light	Relay 230 V / 10 A, µ-contact
Max. switching capacity cos φ 1 resistive	2300 W 
Max. switching capacity cos φ 0.5	1150 VA   
Max. switching capacity LED Guide values	see manufacturer concerning cos φ < 2 W : 60 W / > 2 W : 180 W
Guidance value max. inrush current level	800 A / 200 µs
Maximum number EBs T5/T8	16 x 54/58 W, 24 x 35/36 W 8 x 2 x 54/58 W 12 x 2 x 35/36 W
Connection type	Terminal screws
Max. cable cross-section	max. 2 x 2.5 mm <sup>2</sup>
Flush-mounted box size	Size 1, Ø 55 mm (NIS, PMI)
Protection rating	IP 54 (installed)
Ambient temperature	-15 °C – 50 °C
CE Declaration of Conformity	This device conforms to the safety regulations of the EMC directive 2014/30/EU and of NSR 2014/35/EU.

## Product overview

Type of installation	Channel	Operating voltage	Colour	Type	Item number
Ceiling installation	Light	110-230 V AC	White	theRonda P360 -100 GST	2080010
Ceiling installation	Light	110-230 V AC	White	theRonda P360 -100 WINSTA	2080015

## Troubleshooting

Fault	Potential cause
Light does not switch on and/or off if presence is detected and in darkness	Lux value is set too low; detector set on semi-automatic; light was switched off manually via push button or theSenda S; person not within detection range; obstruction(s) interrupting detection; time delay set too short
Light stays on with detection of presence despite sufficient brightness	Lux value is set too high; light was briefly switched on manually via push button or with theSenda S (wait 30 min.); detector is in test mode
Light does not switch off and/or light switches on spontaneously when no one is present	Wait for time delay (self-learning); thermal sources of interference in the detection area: fan heaters, incandescent lamps/halogen spotlights, moving objects (e.g. curtains hanging in an open windows); Load (EBs, relays) not cleared

Push button does not function	Device still in the start-up phase; illuminated push button was used without neutral conductor; Push button is not connected.
Light cannot be switched off with the push button	Push button not fed to the detector. Check wiring to the push button.
Error flashing (4 x per second)	Error in self-test; Device not properly functional!

## LED display

LED	Description
Flashing at one second intervals	The presence detector is in the start-up phase.
Flickering for 2 s	The command sent from the remote control via infrared was accepted by the presence detector.
Lights up briefly	The command sent from the remote control via infrared was rejected by the presence detector. The command is not valid. Check the detector type or parameter selected in the SendaPro.
Fast flashing	Error flashing; The presence detector has found an error.
Flickering for 20 s	Teach-in via potentiometer is activated.
Lights or flickers irregularly	The presence detector is in presence test operation or "LED display movement" is activated. The LED displays detection of movement.

## Guarantee

ThebenHTS presence detectors are manufactured with the utmost care and using state-of-the-art technology and are quality-tested. Theben HTS AG therefore guarantees perfect operation when used correctly. Should a fault occur, Theben HTS AG will fulfil the guarantee within the scope of the general terms and conditions.

Please note in particular:

- that the guarantee period lasts 24 months from the date of manufacture.
- that the guarantee is invalidated if you, or a third party, make changes or undertake repairs to the devices.
- that, insofar as the presence detectors are connected to a software-controlled system, the guarantee for this connection is only valid when the indicated interface specification is complied with.

We undertake to repair or place as quickly as possible all components of the delivered device that have become defective or unusable through demonstrably poor material, faulty construction or incomplete delivery up to the end of the guarantee period.

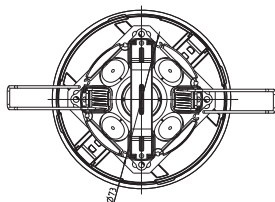
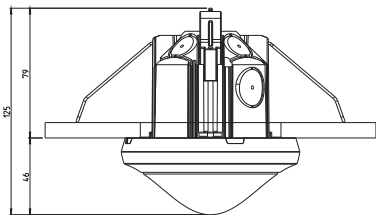
## Returns

In the event of a guarantee claim, please return the device to the relevant dealer together with the delivery note and a brief description of the fault.

## Industrial property rights

The design as well as hardware and software of these devices are protected by copyright.

## Dimensional diagrams



## 11. Accessories

Covering clip for area restriction

Item No. 9070921

Details> [www.theben.de/www.theben-hts.ch](http://www.theben.de/www.theben-hts.ch)

SendoPro 868-A

Item No. 9070675

Details> [www.theben.de/www.theben-hts.ch](http://www.theben.de/www.theben-hts.ch)



theSenda S

Item No. 9070911

Details> [www.theben.de/www.theben-hts.ch](http://www.theben.de/www.theben-hts.ch)



theSenda P

Item No. 9070910

Details> [www.theben.de/www.theben-hts.ch](http://www.theben.de/www.theben-hts.ch)



## 12. Contact

### Switzerland

ThebenHTS AG

Im Langhag 7b

8307 Effretikon

SWITZERLAND

Phone +41 52 355 17 00

Fax +41 52 355 17 01

Hotline

Phone +41 52 355 17 27

[support@theben-hts.ch](mailto:support@theben-hts.ch)

[www.theben-hts.ch](http://www.theben-hts.ch)

### All countries except Switzerland

Theben AG

Hohenbergstraße 32

72401 Haigerloch

GERMANY

Phone: +49 7474 692-0

Fax: +49 7474 692-150

Hotline

Phone: +49 7474 692-369

[hotline@theben.de](mailto:hotline@theben.de)

[www.theben.de](http://www.theben.de)